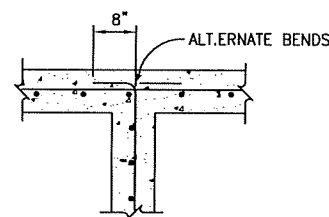
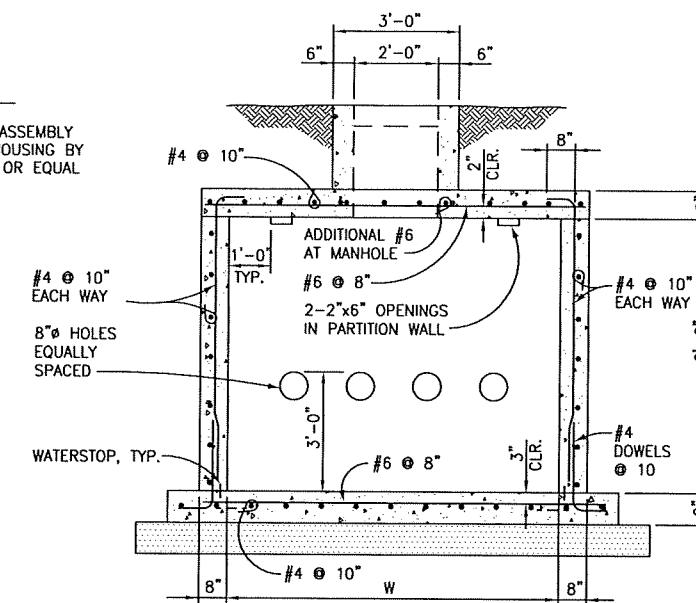
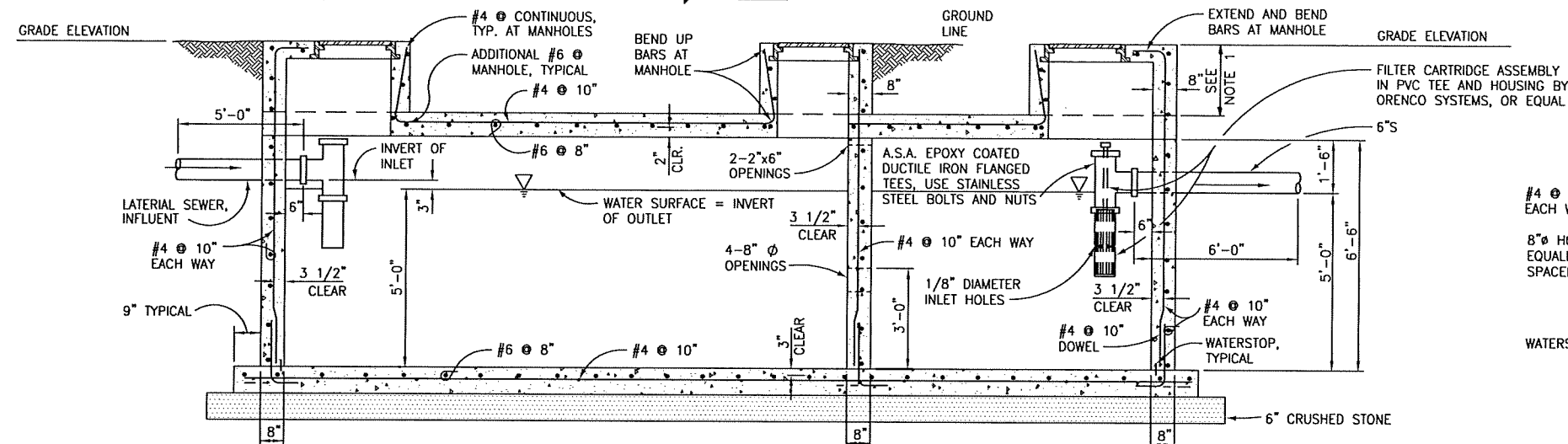
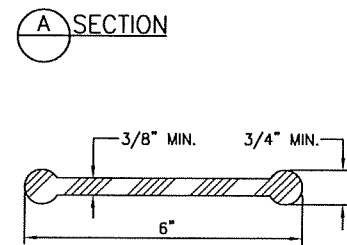


DIMENSION TABLE				
VOLUME GALLONS	W WIDTH	L1 LONG LENGTH	L2 SHORT LENGTH	NO. OF 8" PORTS IN PARTITION WALL
4,500	6'-4"	12'-8"	6'-4"	3
5,000	6'-8"	13'-4"	6'-8"	4
6,000	7'-4"	14'-8"	7'-4"	4
7,000	7'-11"	15'-10"	7'-11"	4
8,000	8'-6"	17'-0"	8'-6"	5
9,000	9'-0"	18'-0"	9'-0"	5
10,000	9'-6"	19'-0"	9'-6"	5
11,000	9'-11"	19'-10"	9'-11"	6
12,000	10'-4"	20'-8"	10'-4"	6
13,000	10'-9"	21'-6"	10'-9"	6
14,000	11'-2"	22'-4"	11'-2"	7
15,000	11'-7"	23'-2"	11'-7"	7
16,000	12'-0"	24'-0"	12'-0"	7



WALL INTERSECTION DETAILS



WATERSTOP DETAIL

NOTES:

1. TANK IS DESIGNED FOR 3 FEET MAXIMUM OF 100 PCF FILL ON TOP.
2. ALL CONCRETE SHALL HAVE A MINIMUM SPECIFIED COMPRESSIVE STRENGTH AT 28 DAYS OF F'C=4,000 PSI.
3. ALL REINFORCING BARS SHALL CONFORM TO ASTM A615 GRADE 60.
4. MINIMUM LAP LENGTH OF SPLICES SHALL BE #4-20", #6-33" UNLESS OTHERWISE SHOWN.
5. FIBERGLASS TANKS ARE ACCEPTABLE AS AN ALTERNATE TO CONCRETE.
6. SEE DETAIL (2610) FOR FRAME AND COVER REQUIREMENTS.
7. BACKFILL IN ACCORDANCE WITH MANUFACTURER'S RECOMMENDATIONS; NO BACKFILL MATERIAL SHALL BE 3" OR GREATER IN DIAMETER.
8. FINAL STRUCTURAL/REINFORCING DESIGN OF PRECAST STRUCTURE TO BE COMPLETED BY MANUFACTURER OR PROFESSIONAL ENGINEER LICENSED IN THE STATE OF COLORADO.

PRIVATE SEWAGE DISPOSAL SYSTEM
NOT TO SCALE

2745

