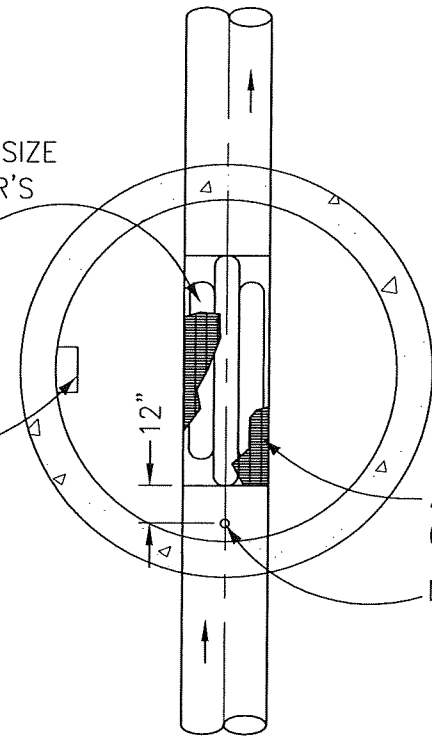


INSERTABLE PALMER-BOWLUS FLUME, AS MANUFACTURED BY PLASTI-FAB OR APPROVED EQUAL; SIZE PER MANUFACTURER'S RECOMMENDATIONS

MANHOLE RUNGS AT 12" ON CENTER

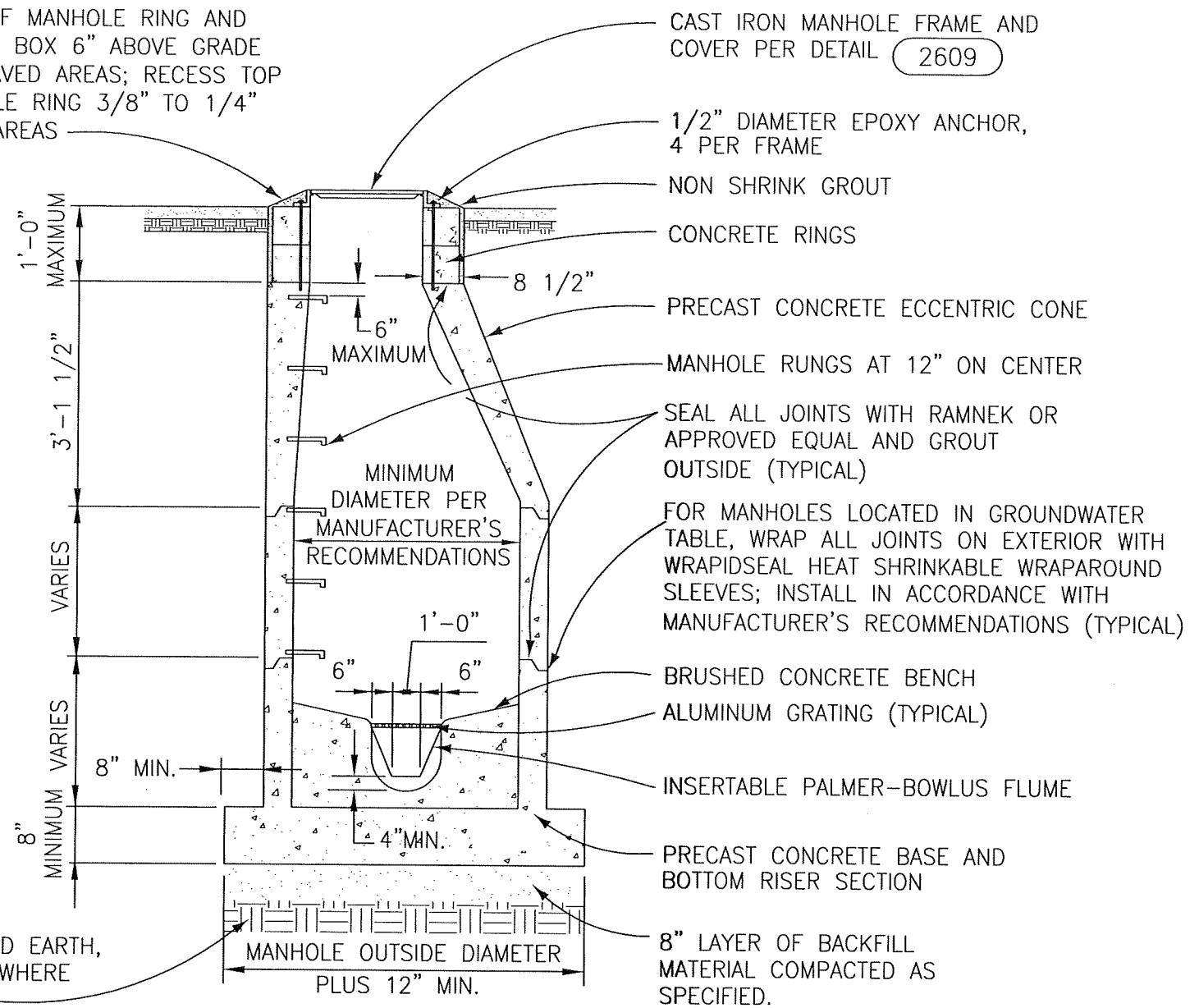


PLAN

NOTES:

1. PROVIDE DETAILS REGARDING POWER SUPPLY, AND CONNECTION TO DISTRICT'S EXISTING SCADA SYSTEM.
2. SEE DETAIL 2610 FOR ADDITIONAL MANHOLE DETAILS.

SET TOP OF MANHOLE RING AND CLEAN OUT BOX 6" ABOVE GRADE IN NON-PAVED AREAS; RECESS TOP OF MANHOLE RING 3/8" TO 1/4" IN PAVED AREAS



SECTION

FLOW METERING AND SAMPLING STATION

NOT TO SCALE

2613