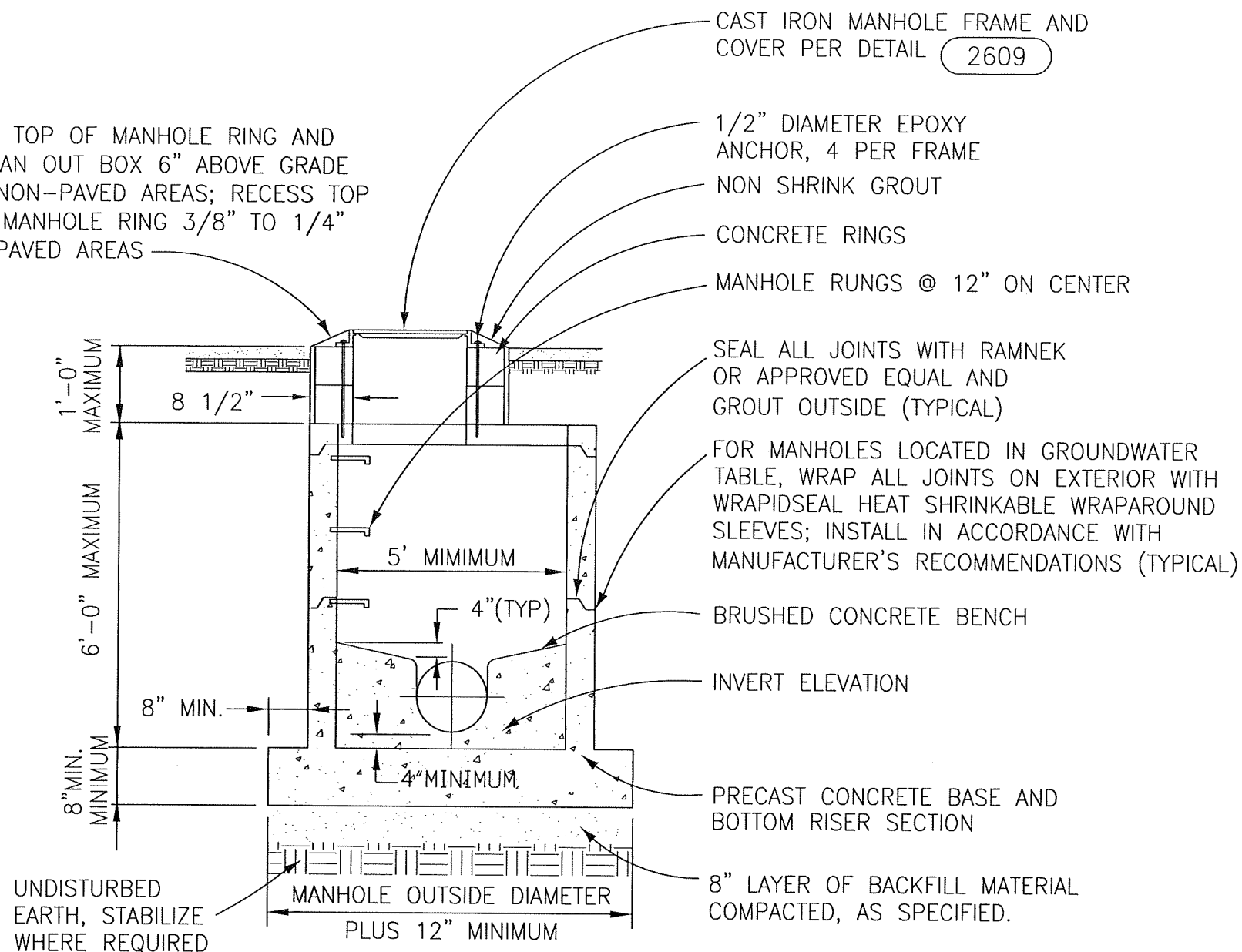


TYPICAL PLAN

TABLE 1	
PIPE DIAMETER	MANHOLE FRAME AND COVER DIAMETER
12" OR LESS	24"
14" TO 30"	30"

SET TOP OF MANHOLE RING AND CLEAN OUT BOX 6" ABOVE GRADE IN NON-PAVED AREAS; RECESS TOP OF MANHOLE RING 3/8" TO 1/4" IN PAVED AREAS



NOTE:

1. SEE DETAIL 2610 FOR ADDITIONAL MANHOLE DETAILS

SHALLOW MANHOLE
NOT TO SCALE

2612