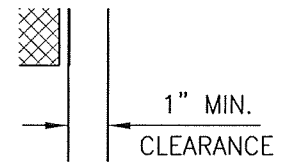
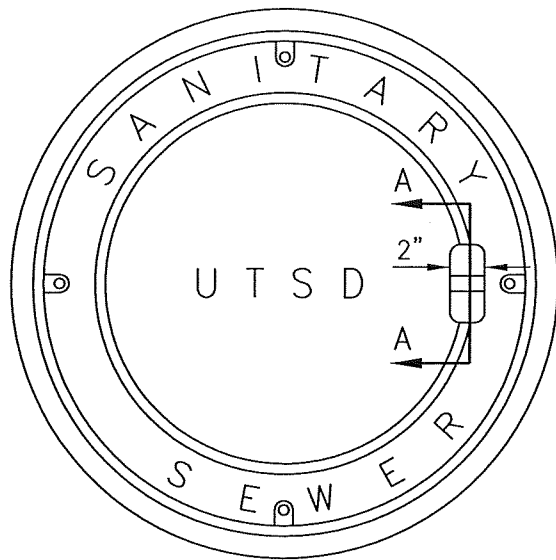
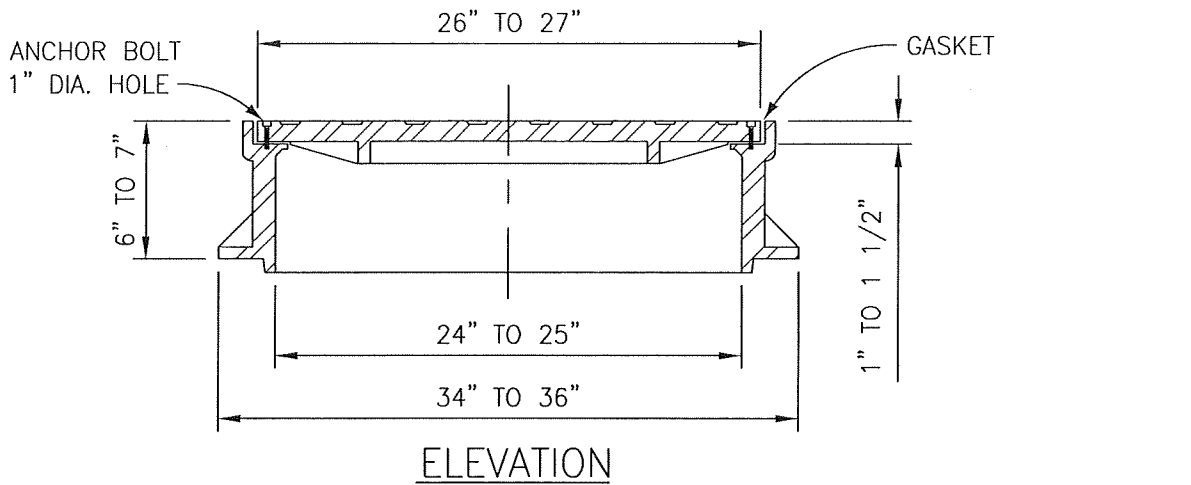


10/22/07 11:11 ECALLEGOS R17 P:\UTSD\FIGURES\DETAILS\DIV 2\2609.DWG IMAGES: P:\UTSD\BASES\UTSD LOGO.BMP;



SECTION A-A

PLAN

NOTES:

1. MANHOLE COVERS SHALL HAVE UTSD CAST ON COVER. LETTERING SHALL BE AS SHOWN. LETTERS SHALL BE EQUALLY SPACED AND BALANCED.
2. MANHOLE COVER AND FRAME SHALL BE DESIGNED TO WITHSTAND TRAFFIC LOADING (H2O TRUCK).
3. ALL MANHOLE COVERS SHALL BE BOLT-DOWN AND WATER-TIGHT WITH LIFTING SLOT AND RECESSED HANDLES, UNLESS APPROVED OTHERWISE BY THE DISTRICT. LIFTING SLOTS SHALL NOT EXTEND THROUGH COVER (SEE SECTION A-A ABOVE).
4. FRAME AND COVER SHALL CONFORM TO ASTM A 48 CLASS 30. FRAME AND COVER SHALL BE CAST IRON, NEENAH R1915 OR APPROVED EQUAL.

MANHOLE FRAME AND COVER  
NOT TO SCALE

2609

UPPER THOMPSON  
SANITATION DISTRICT  
MANHOLE FRAME AND COVER  
STANDARD DETAIL NO. 2609



Upper Thompson Sanitation District  
2196 Mall Road  
Estes Park, Colorado 80517  
Phone: 970.586.4544