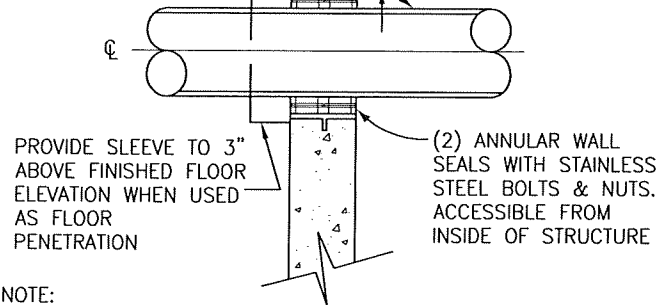
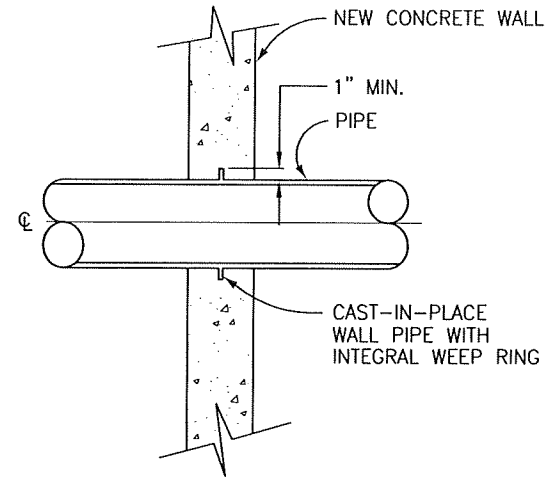


SCHEDULE 40 GALVANIZED PIPE SLEEVE WITH INTEGRAL WEEP RING (DIAMETER AS REQUIRED BY SEAL MANUFACTURER)

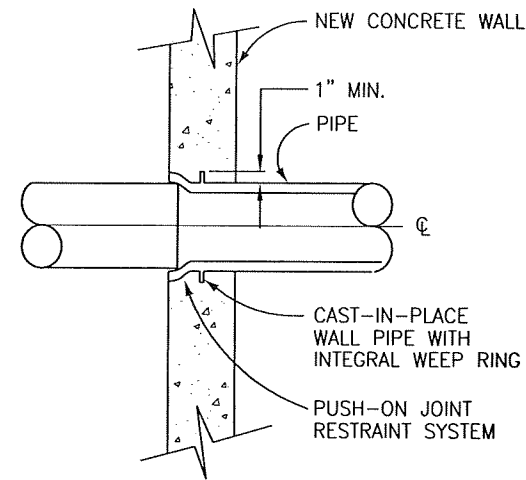


NOTE:
WHEN WALL/FLOOR IS EXISTING, CORE DRILL (SIZE AS REQUIRED BY SEAL MANUFACTURER) AND PROVIDE TWO ANNULAR SEALS W/ STAINLESS STEEL BOLTS AND NUTS AS SHOWN ABOVE.

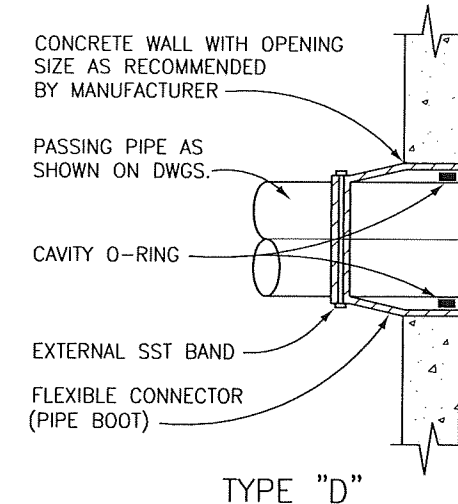
TYPE "A"



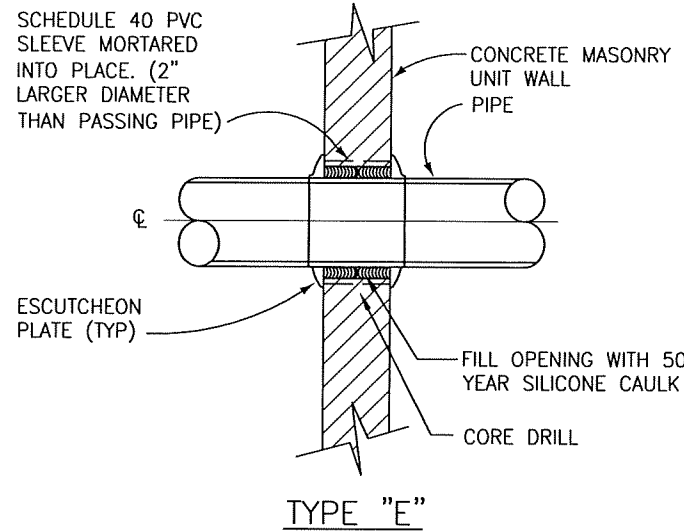
TYPE "B"



TYPE "C"



TYPE "D"



TYPE "E"

GENERAL NOTES FOR ALL TYPES :

1. PENETRATIONS SHALL CONFORM TO THE PENETRATION TABLE FOR THE CONDITION INDICATED, UNLESS OTHERWISE APPROVED BY THE DISTRICT.
2. COAT ALL REBAR AND STEEL EXPOSED FROM CORE DRILLING WITH EPOXY.
3. COAT EMBEDDED WALL AND FLOOR PIPES WITH APPROPRIATE PAINT SYSTEM PRIOR TO CONCRETE PLACEMENT.
4. DO NOT ALLOW PIPE SLEEVES TO COME IN CONTACT WITH REINFORCING STEEL.
5. ALL HARDWARE IN SUBMERGED OR WET AREAS SHALL BE STAINLESS STEEL.
6. ALL EXTERIOR PENETRATIONS SHALL HAVE 2 (MINIMUM) FLEXIBLE CONNECTIONS AT 2 FEET AND 6 FEET FROM BUILDING FACE.
7. ANNULAR WALL SEALS:
 - UNLESS NOTED OTHERWISE, PROVIDE LINK-SEAL TYPE M OR EQUAL.
 - WHERE NOTED OR FOR SERVICES WHERE FLUID TEMPERATURE EXCEEDS 250 DEGREES FARENHEIT, PROVIDE LINK-SEAL TYPE F OR EQUAL.
8. UNLESS OTHERWISE SHOWN, ALL ANNULAR SPACES BETWEEN PASSING PIPE AND SLEEVES SHALL BE SEALED AS FOLLOWS:
 - A. ANNULAR SPACES IN PENETRATIONS OF FIRE RATED WALLS SHALL MEET FIRE CODE REQUIREMENTS OF APPLICABLE LOCAL AND STATE JURISDICTIONS.
 - B. FOUNDATION FLOOR SEALS SHALL BE SEALED WITH NONSHRINK GROUT. WRAP PIPE WITH POLYETHYLENE BAGGING INSIDE SLEEVE.
 - C. INTERIOR WALLS BETWEEN HEATED AND UNHEATED SPACES SHALL BE SEALED WITH RUBBER SEALANT AND BACKER ROD.
9. SEE RULES AND REGULATIONS FOR ADDITIONAL REQUIREMENTS.

PENETRATION TABLE

LOCATION	CONSTRUCTION	MEDIA	TYPE	
			ABOVE GRADE	BELOW GRADE
BUILDING WALLS (DRY)	CONCRETE	PIPES	A,B,C,E	A,B,C
INTERIOR WALLS				
EXTERIOR WALLS	CMU	ALL	E	-
CEILING, SUSPENDED CEILING				
TANK WALLS, FLOOR	CONCRETE	PIPES	A,B,C	A,B,C
WATER HOLDING				
VAULTS (DRY)	CONCRETE	PIPES	-	A,C,D
MANHOLES	CONCRETE	PIPES	-	D
SLAB ON GRADE	CONCRETE	PIPES	-	A,B,C

OPENINGS AND PENETRATIONS

NOT TO SCALE

15005

